



Bell Hydromatics

Fixed Displacement Vane Pumps

Double Pumps

IVP(Q)21



IVP(Q) DoublePumps Max. Continuous Pressures

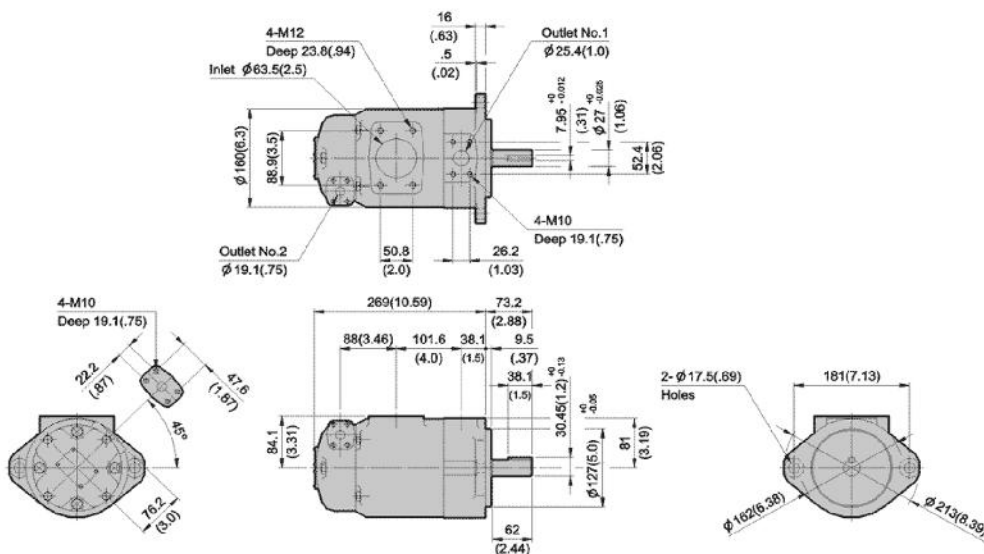
Model	Shaft end pump (No. 1 outlet)			Cover end pump (No. 2 outlet)			Max. Speed rpm	Min. Speed rpm
	◆ Code	Geometric Displacement cm ³ /r	Max. Pressure Bar	◆ Code	Geometric Displacement cm ³ /r	Max. Pressure bar		
IVP(Q)21	10	32.5	♣ 172 F3 = 69 F11 = 157	2	7.5	♣ 138 F3 = 69 F11 = 138	1800 F3 = 1200 F11 = 1500	600
	12	38.3						
	14	43.3		3	10.2			
	15	46.7						
	17	52.5		4	12.8	♣ 172 F3 = 69 F11 = 138		
	19	59.2						
	21	65.0		5	16.7	♣ 207 F3 = 69 F11 = 157		
	25	78.6						

◆ Rated capacity in USgpm at 1200 rpm and 6.9 bar.

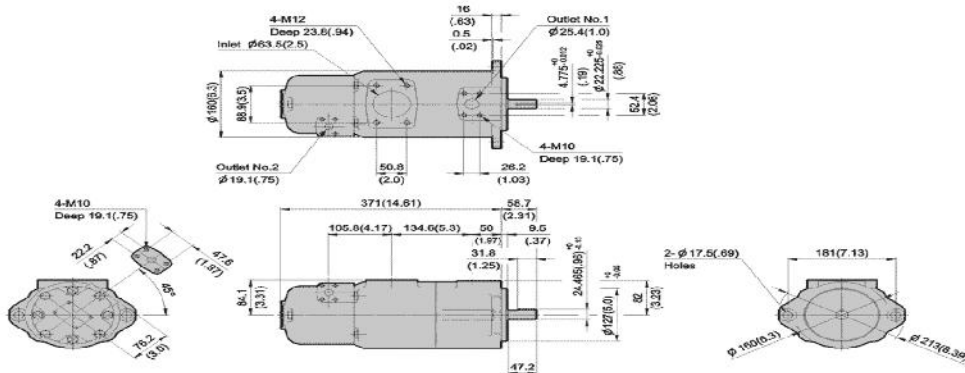
♣ Transient (peak) pressure 10% over the max. continuous pressure rating for 0.5 seconds or less duration is allowed.

Dimensions

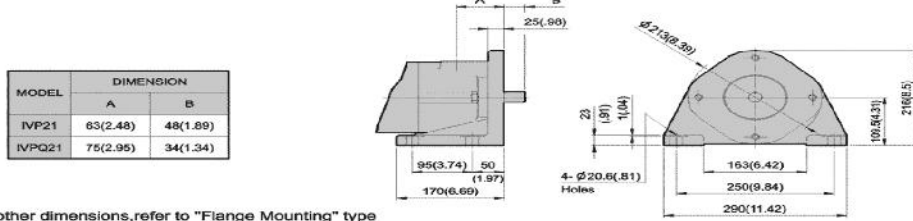
IVP21 Double Pumps: Flange Mounting



IVPQ21 Double Pumps: Flange Mounting



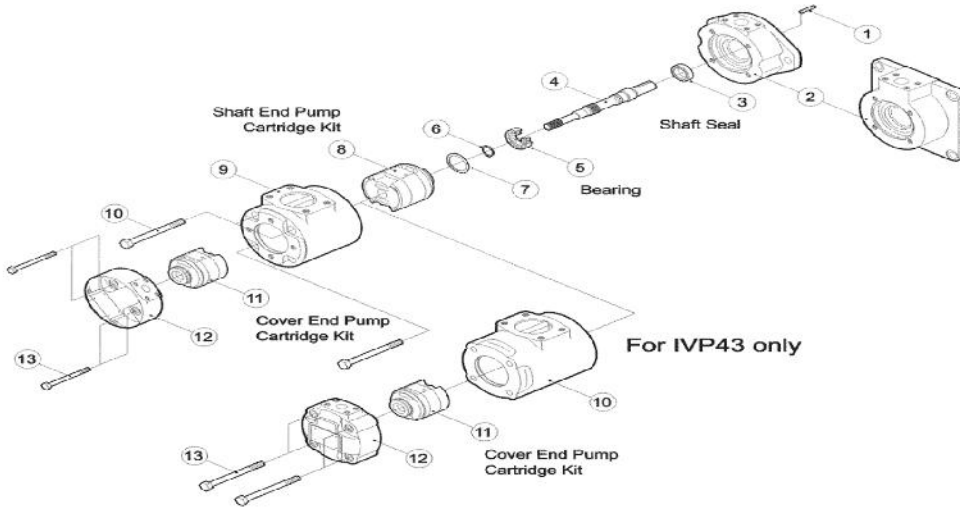
IVP(Q)21 Double Pumps: Foot Mounting



For other dimensions, refer to "Flange Mounting" type

Assembly

IVP21 Double Pumps – Assembly



IVPQ21 Double Pumps – Assembly

